

HANGAM

SEPARATION

شرکت دانش بنیان همگام صنعت

COLLING TOWER FEED PUMP

■ DESIGN ■ MANUFACTURE ■ MAINTENANCE



NAME	THE COOLING PUMP - BB	
FLOW RATE	2750M3/H	
HEAD	69M	
FLUID TYPE	WATER	
REV/MIN	992	
TEMPERATURE	0.5C MIN 60 C MAX	
SUCT. PRESSURE	NORMAL 1 BAR	
DISCH. PRESSURE	NORMAL 6.7 BAR	
WIGHT	10560 KG	
CASING HYDROSTATIC TEST PRESSURE	11.3 BAR	
DENSITY	989 KG/M3	
DRIVER	700KW	
Material	CASING	1.0625
	SHAFT	1.4021
	IMPELLER	BS1400 AB2 (ALUMINIUM BRONZE)- c-95800
	CASE CASKET	NAF



Model: PU-HSC-60

Capacity: 4500 m3/h

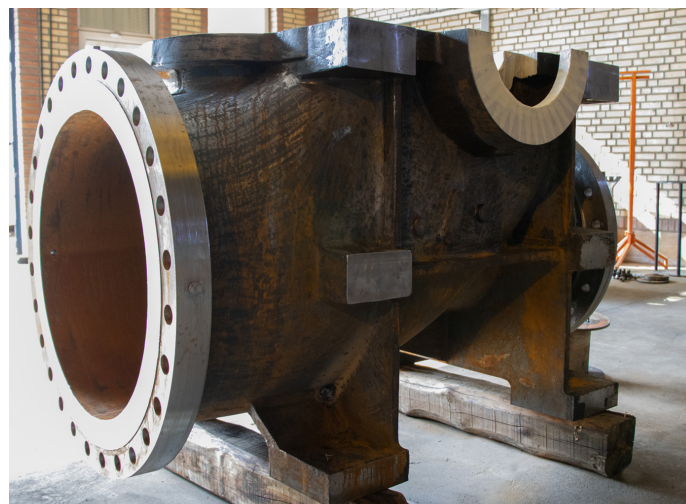
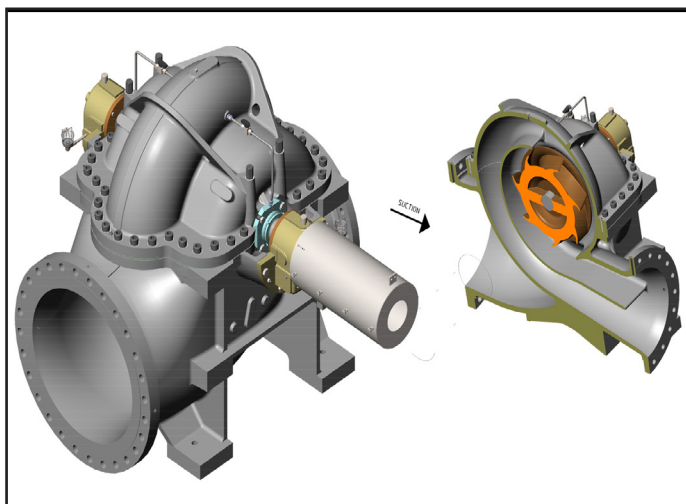
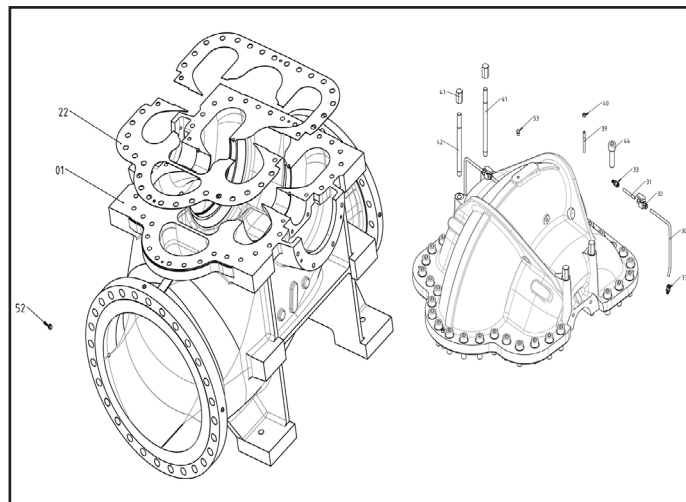
Head: 37m

Size: 33 25 42

Speed: 950 RPM

MADE BY HANGAM SANAT CO. IRAN

Cooling is the process whereby unwanted heat is removed from machinery including engines, gear boxes, turbines and winches, or to generally cool a building. Whilst glycol and brine can also be used, many cooling pump applications use water (fresh or seawater) as the method of absorbing heat due its high boiling point and it being so readily available, at a relatively low cost.





HAMGAM
SEPARATION
شرکت دانش بنیان همگام صنعت

COLLING TOWER FEED PUMP

■ DESIGN ■ MANUFACTURE ■ MAINTENANCE

+98 21 66803401

info@hamgamsanat.ir

www.hamgamsanat.ir

No63, Mokhtari Ave,
17Shahrivar Street, Fath
Highway, Tehran, Iran